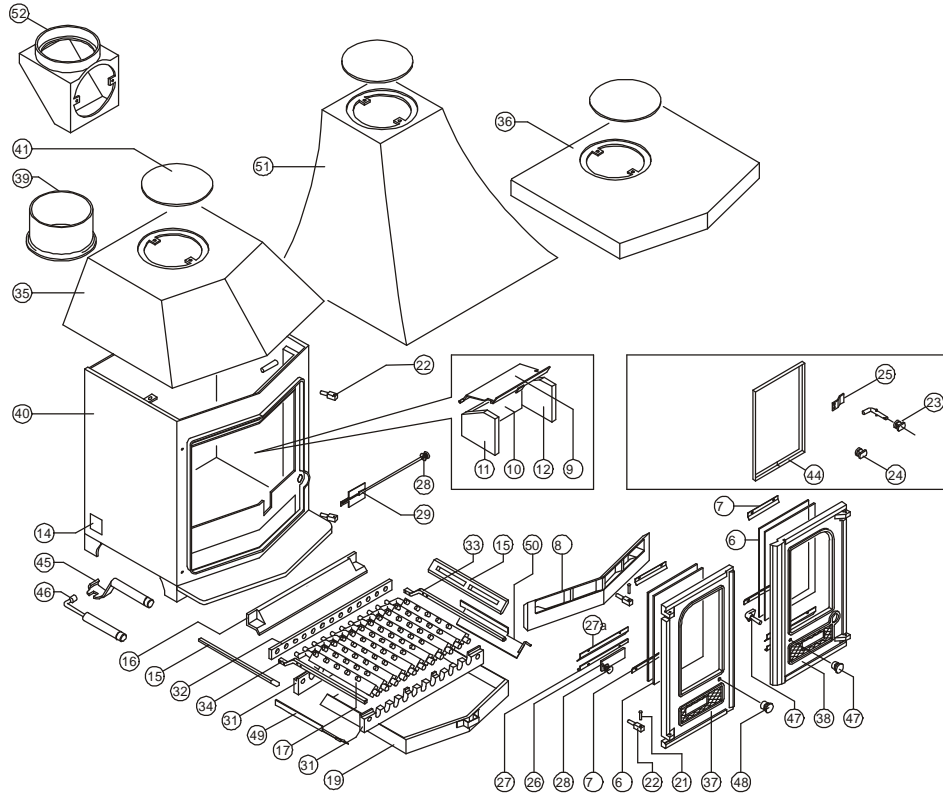


Parts List



Item	Part No.	Description	Item	Part No.	Description
1*	008/TW35L	Left Hand Door Seal	37	002/TW01	Left Hand Door
2*	008/TW35R	Right Hand Door Seal	38	002/TW02	Right Hand Door
3*	008/TW32	Canopy / Top Seal	39	002/CH12A	Flue collar
4*	008/FW29	Door Seal Adhesive	40	001/TW10	Firebox (Country 8 M/F)
5*	008/TW44S	Glass Channel (set of 8)	41	012/TW09	Blanking Plate
6	006/LW30	Glass (Inc Channel)	42*	010/EW51	Ash Carrier (Optional Extra)
7	004/EW23	Glazing Bar	43*	012/TW43S	Extension Feet (Optional Extra)
8	002/TW07	Front Fire Bars	44#	004/TW46	Double Glazing Frame
9	010/TW31	Throat Plate	45	010/TW20/A	Door Opening / Ashpan Tool
10	011/TW29	Back Fire Brick	46	010/TW22/A	Riddling Tool
11	011/TW28L	Left Hand Fire Brick	47	002/BV03/A	Door Catch Assembly
12	011/TW28R	Right Hand Fire Brick	48	002/BV12	Left Hand Door Knob
13	011/TW28S	Set of Fire Bricks (3)	49	004/TW24L	Ash Shedding Plate Left Hand
14	012/TW45	Serial No. Label	50	004/TW24R	Ash Shedding Plate Right Hand
15	002/EW15	Side Fire Plate	51	010/TW04	High Canopy
16	002/EW16	Back Fire Plate	52	010/TW33	Vert. Rear Flue Connector (Opt'l Extra)
17	002/CG01	Bottom Grate Bar			
18	002/CG01S11	Set of Grate Bars (11 per set)			
19	004/BV17	Ashpan			
21	008/BW39/S	Hinge Pin Set (4 per set)			
22	008/FW27	Hinge Post			
23#	012/TW03	Door Catch Assembly			
24#	002/TW12	Left Hand Door Knob			
25#	012/TW10/6	Door Catch Plate			
26	012/TW14	Primary Air Slide			
27	004/TW18	Primary Air Slide Guide (Lower)			
27a	004/BV18	Primary Air Slide Guide (Upper)			
28	002/TW13	Air Control Knob			
29	004/TW41	Airwash Slide			
31	002/EW30	Carrier Bar			
32	012/EW33	Mover Bar			
33	012/TW23	Riddler Rod			
34	012/CG05	Idler Rod			
35	010/TW06	Low Canopy			
36	010/TW05	Flat Top			

* These items are not shown on the drawing.

These items are only used on models prior to serial no. 1777.



To obtain spare parts please contact your local stockist giving Model, Part No. and Description. In case of difficulty contact the manufacturer at the address shown. This drawing is for identification purposes only.